

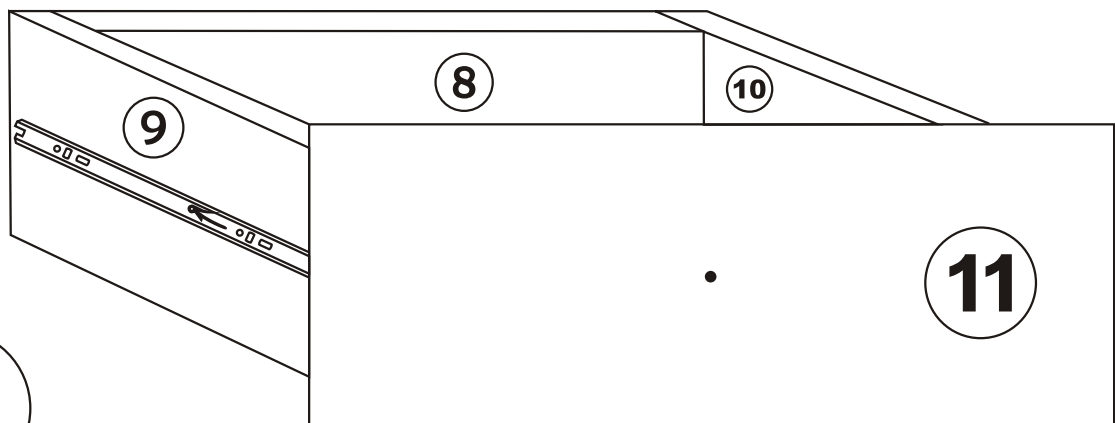
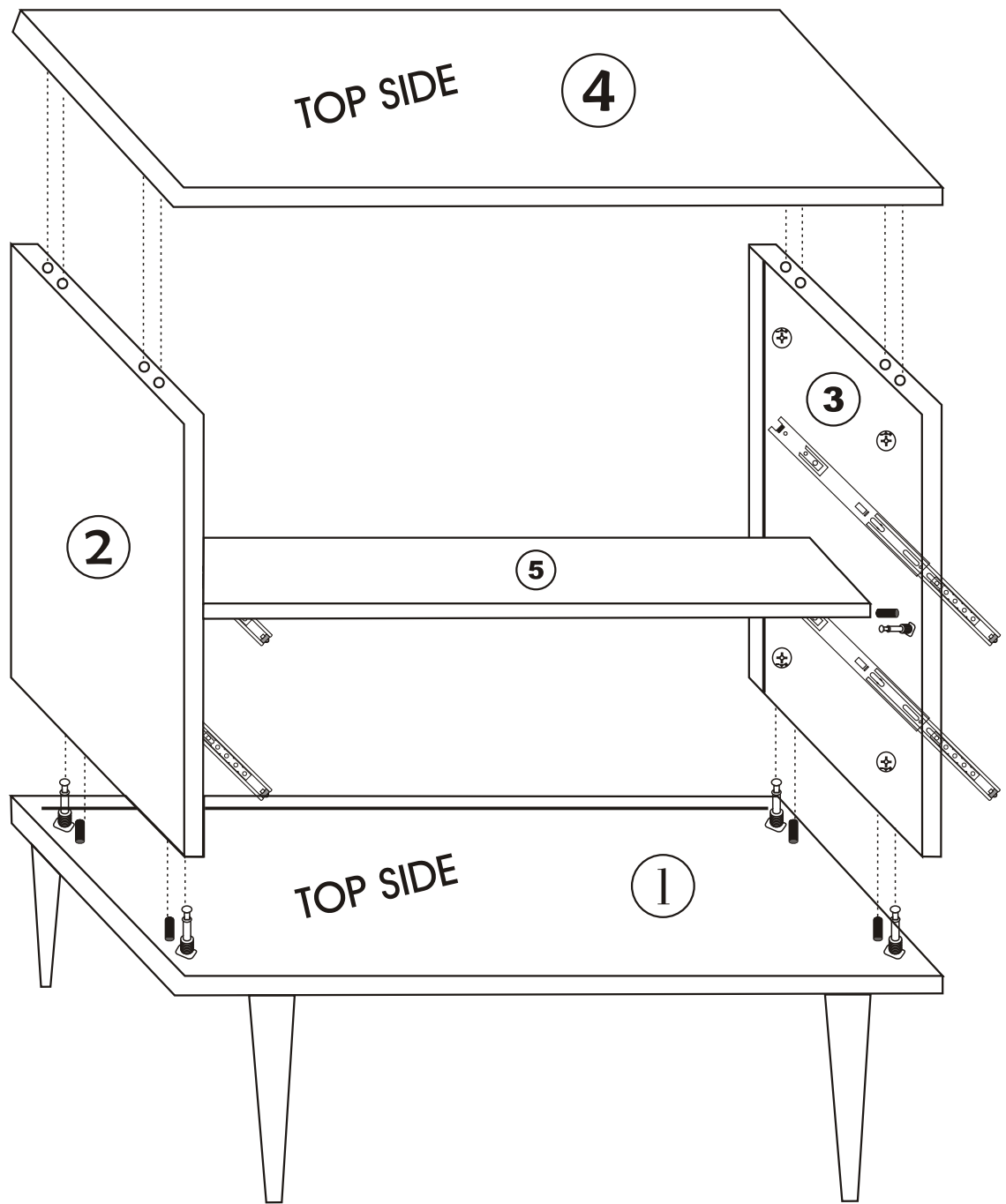
MALMÖ

Assembly Manual



KALUNE DESIGN
furniture

MALMÖ

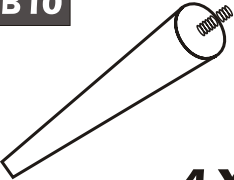
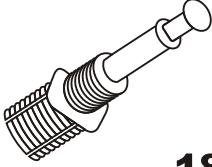

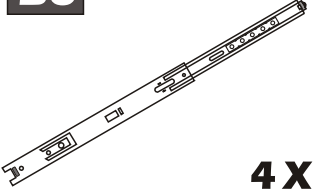
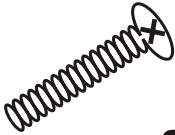
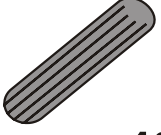

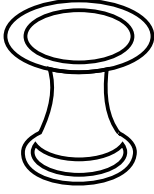


1

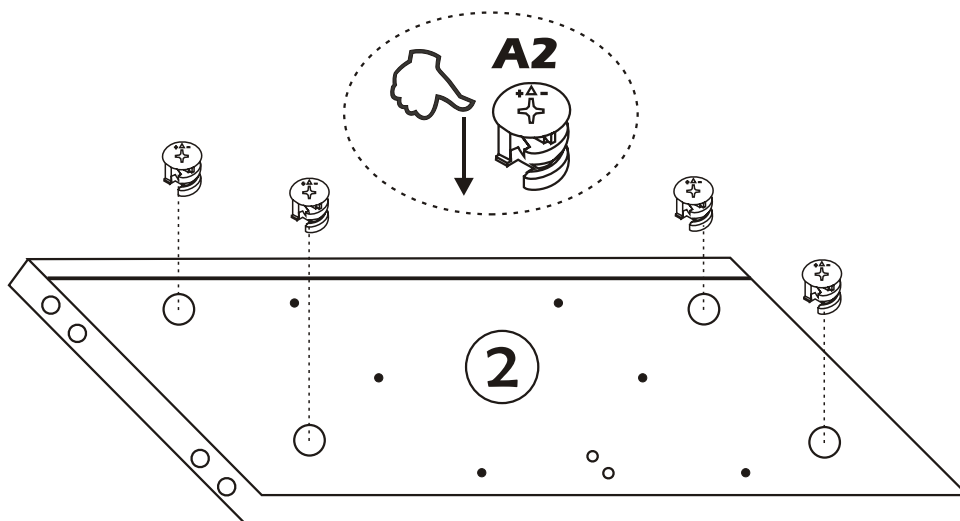
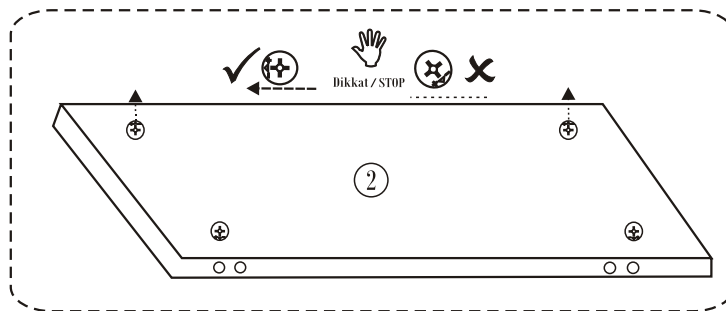
ATTENTION !!

Minifix is the main connection material used in Decortile products ,
Before starting assembly , Please check the drawings below

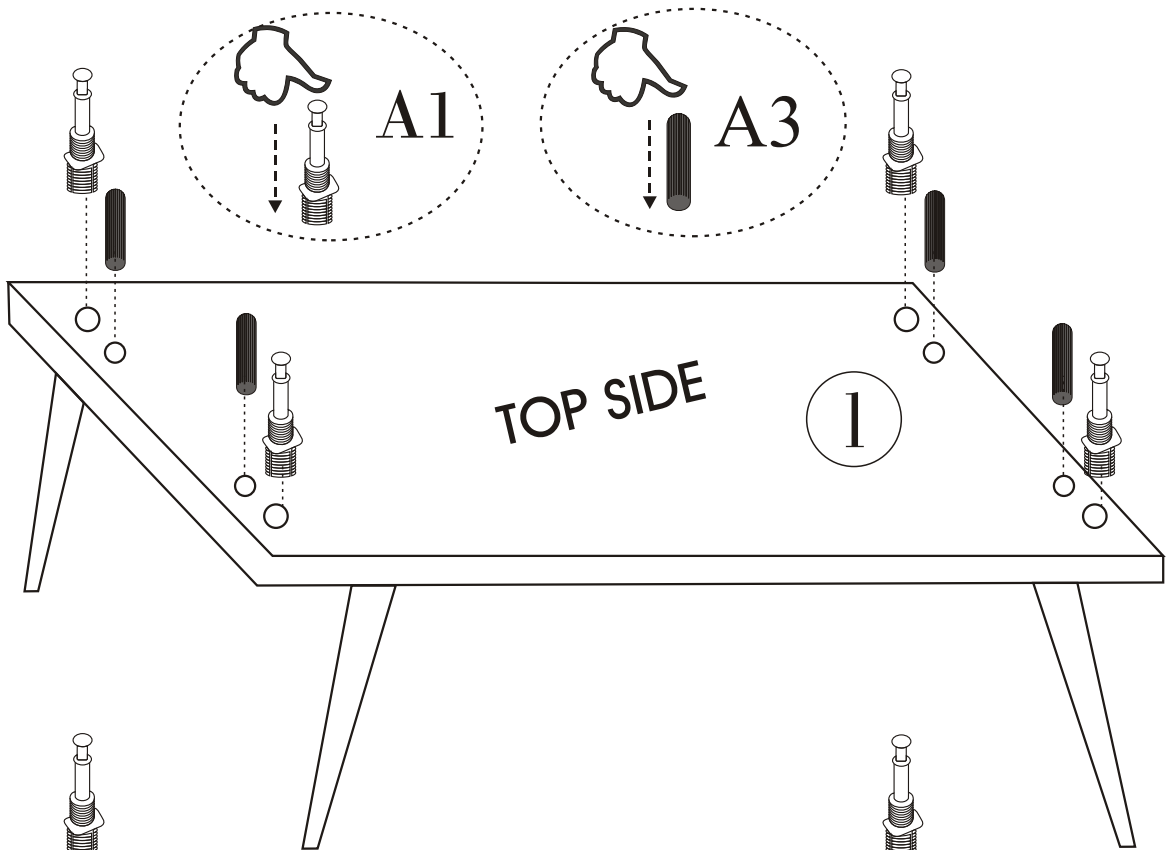
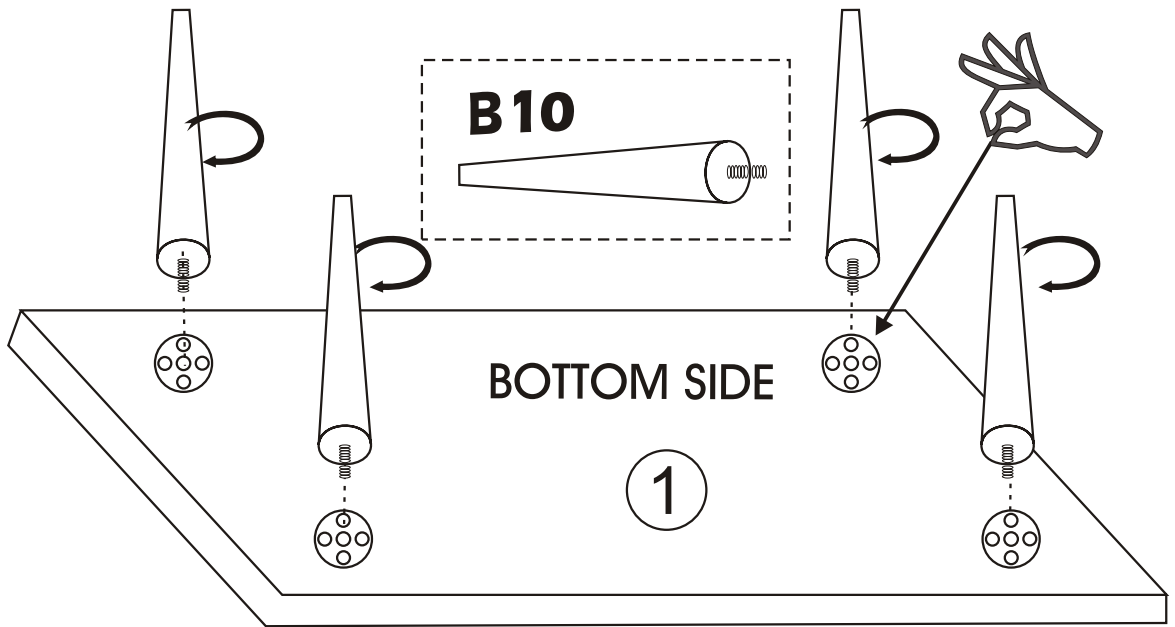
Accessory List

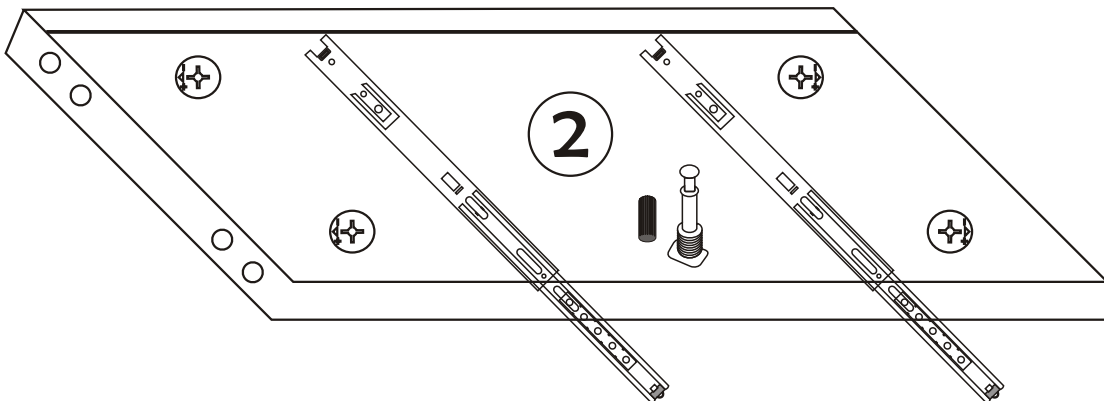
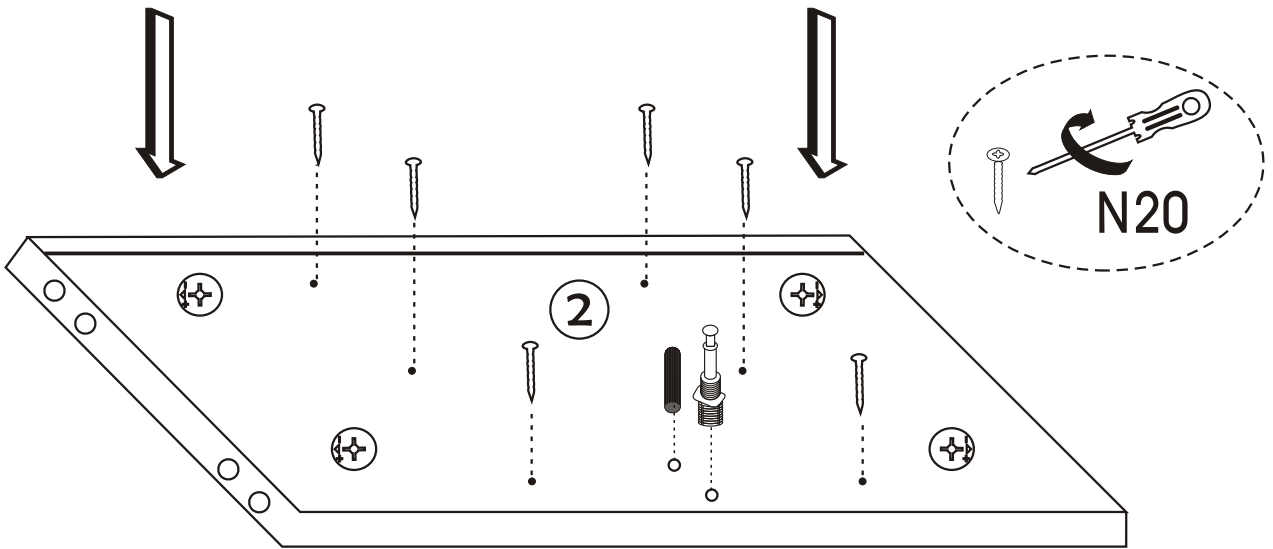
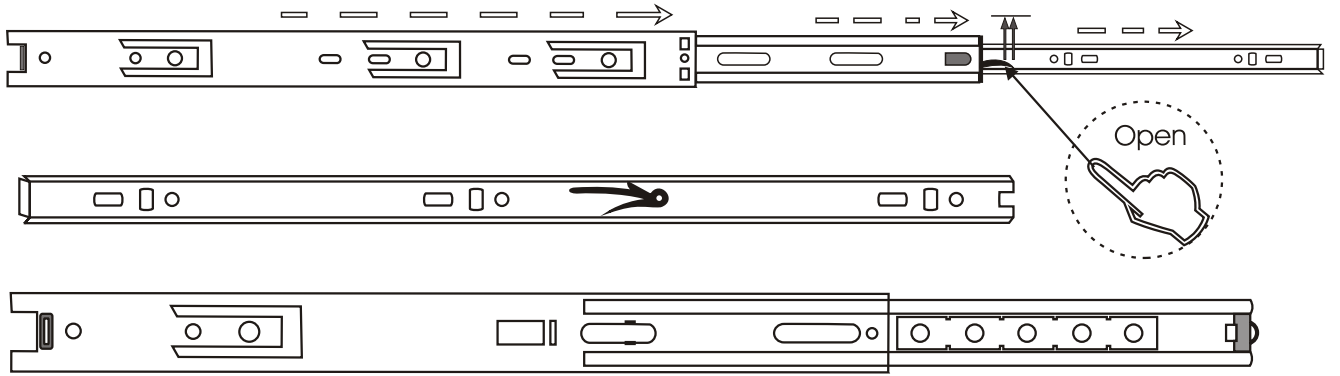
B10  4 X	A1 Minifix  18 X	A2 Minifix  18 X	B6  4 X
Z15  2 X	A3  18 X	N20  24 X	 2 X

General view

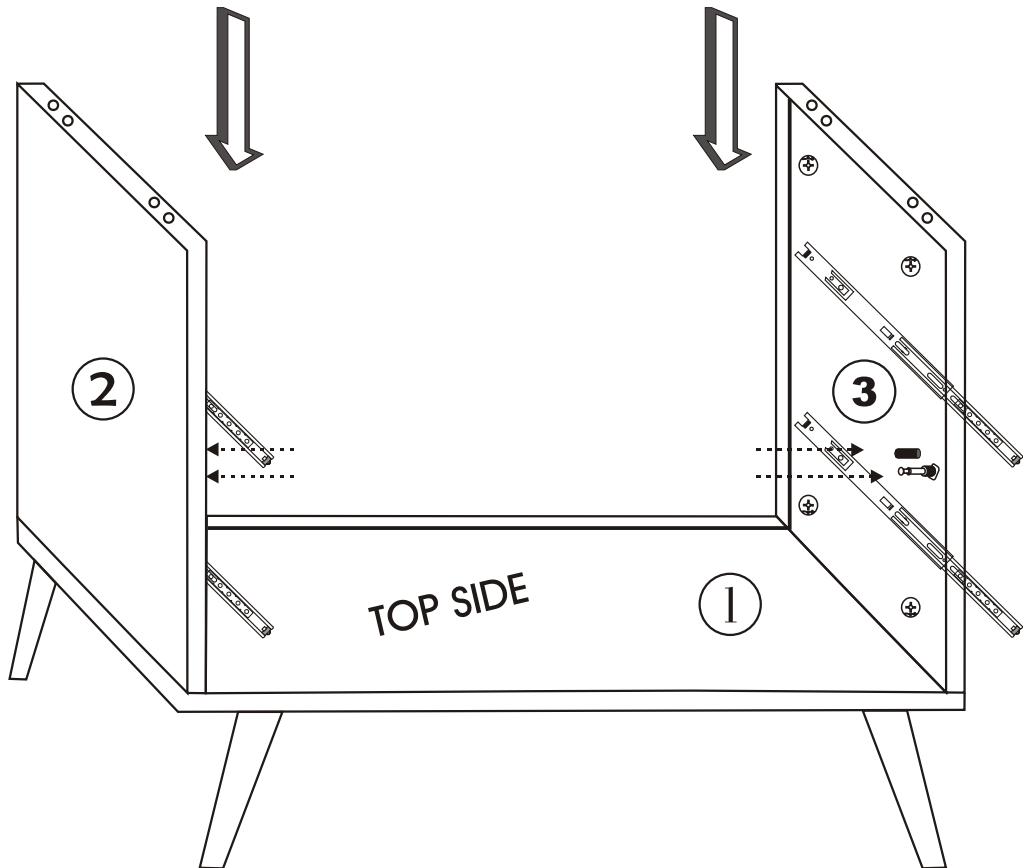
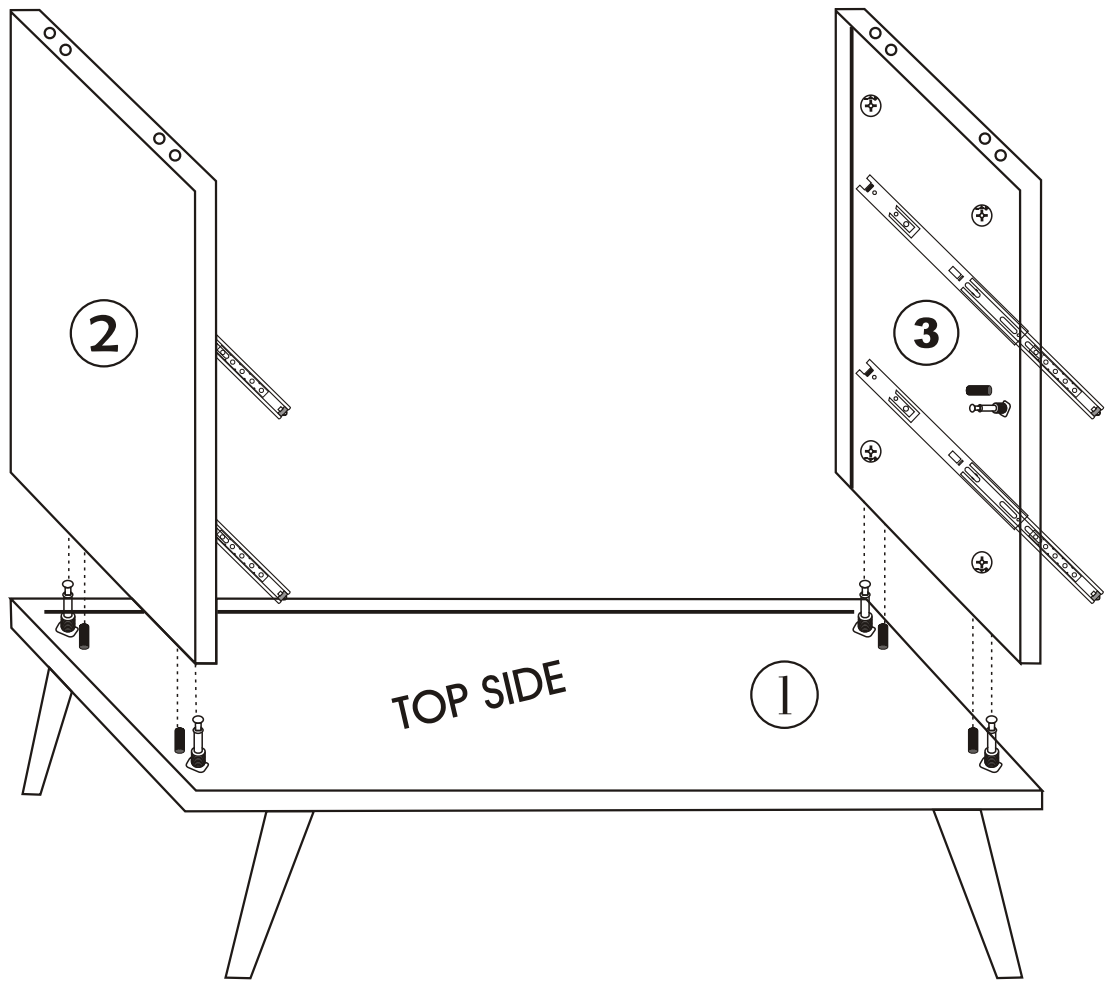


2

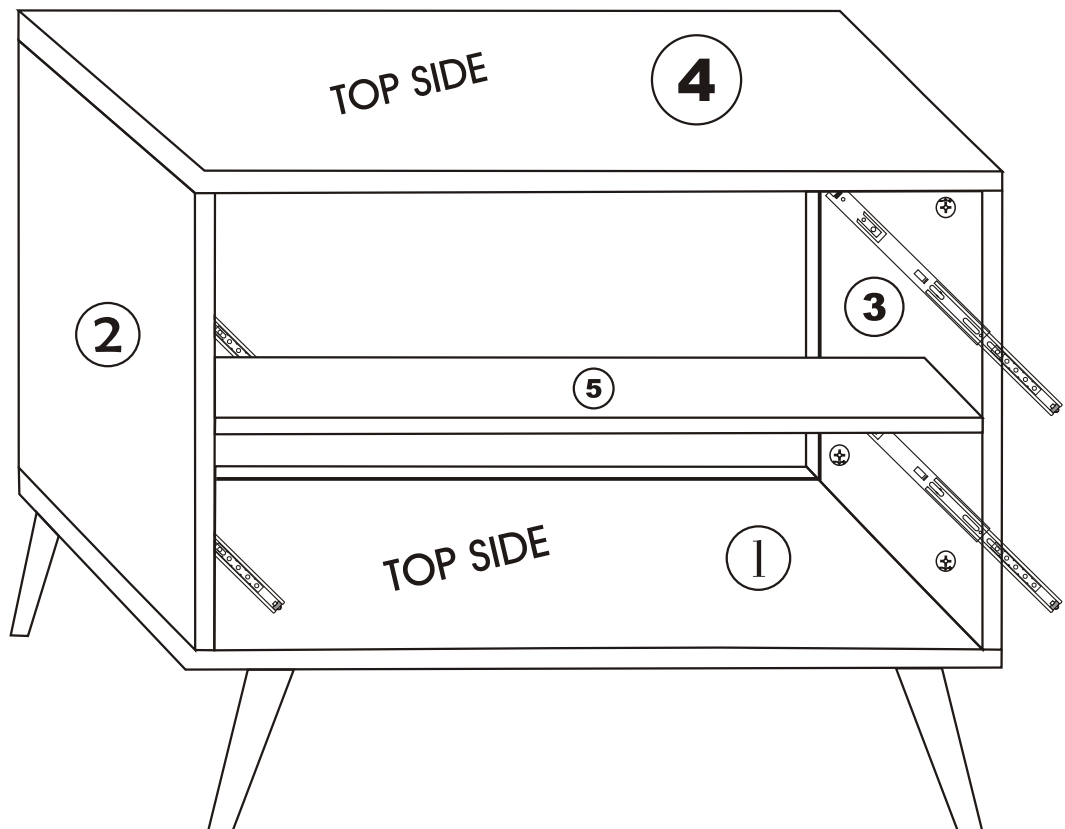
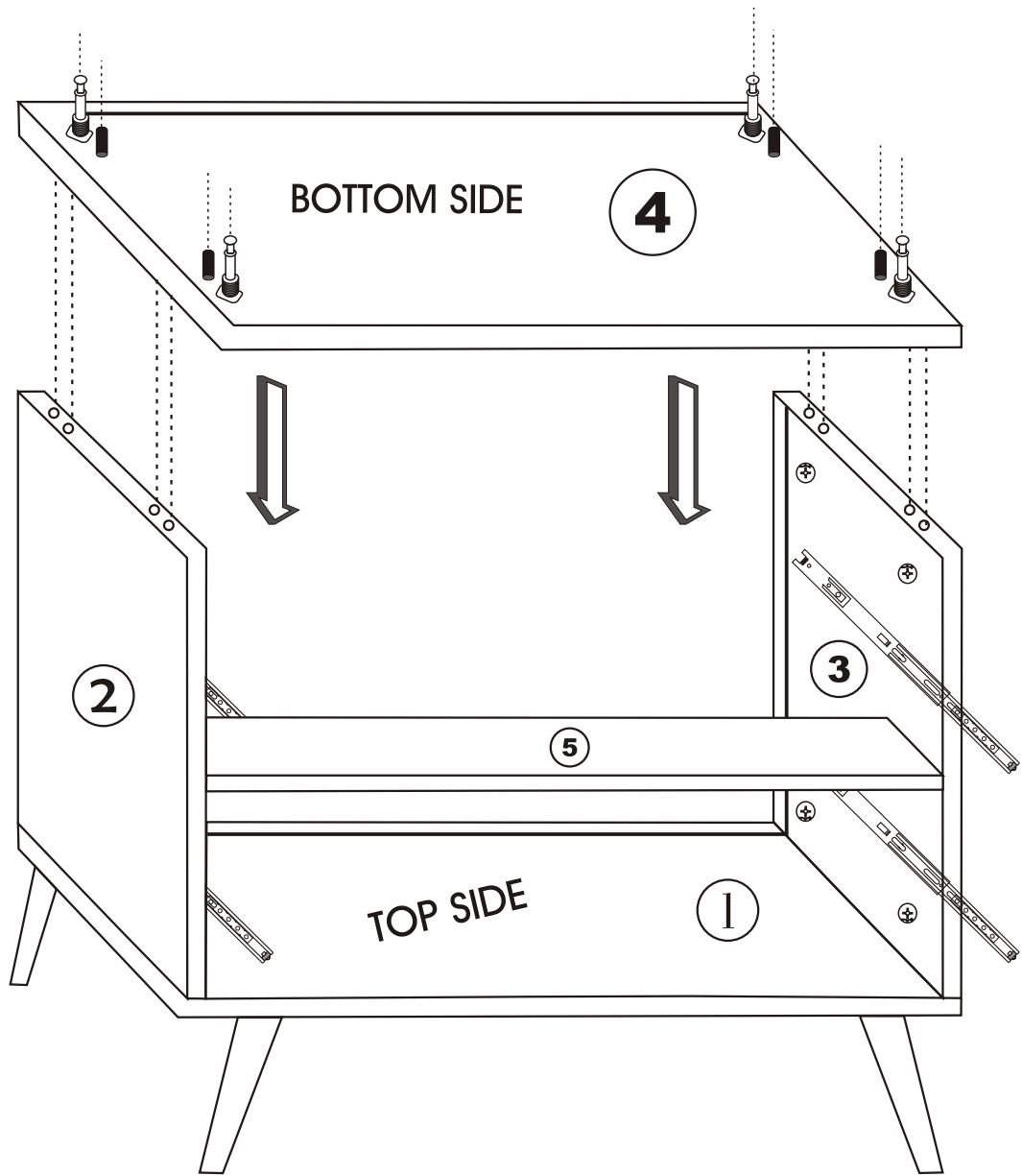


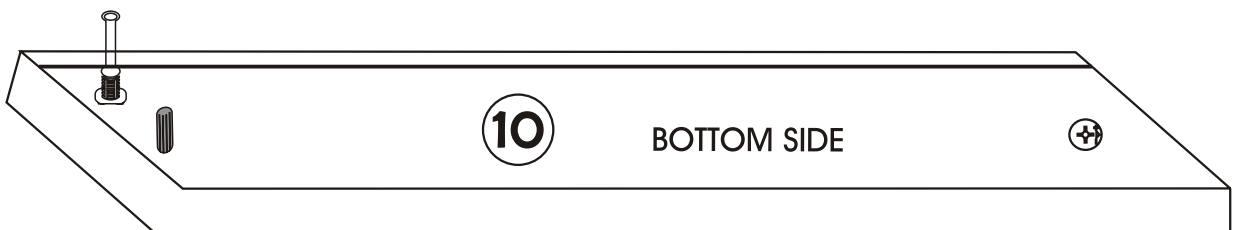
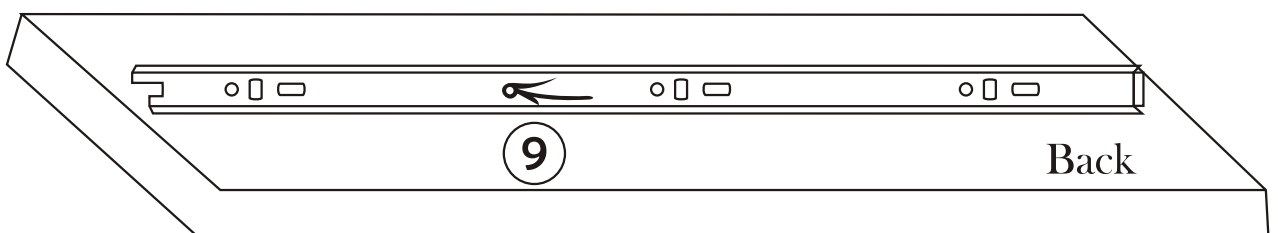
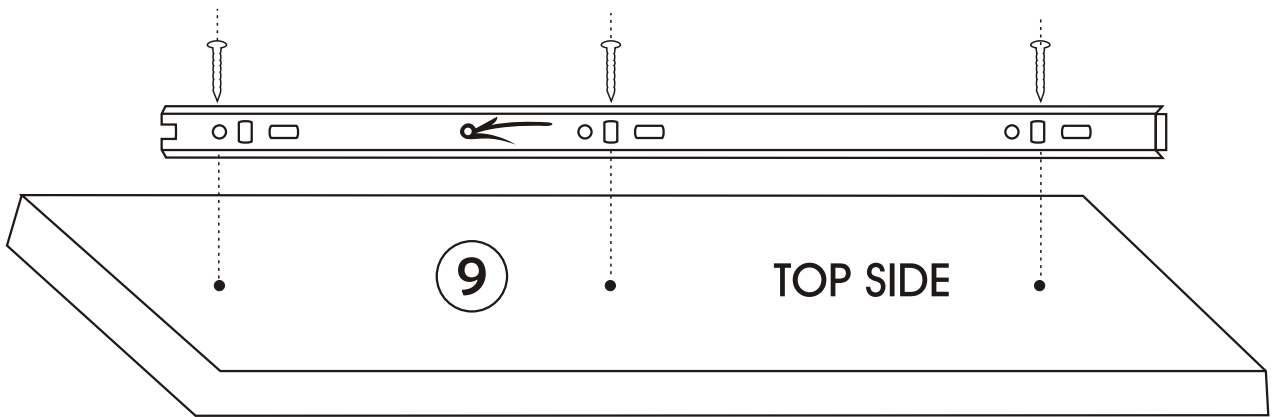
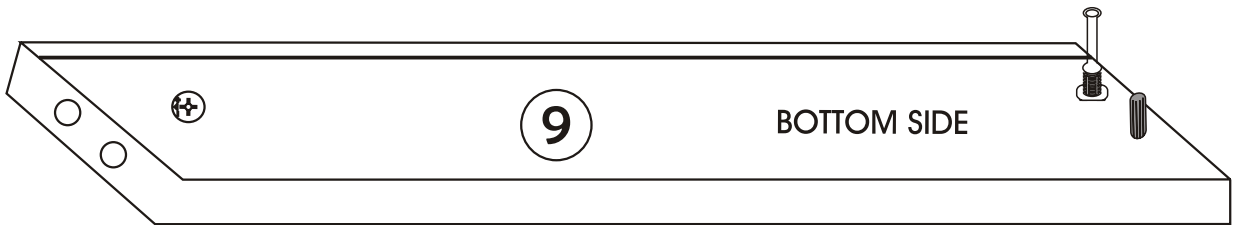


4

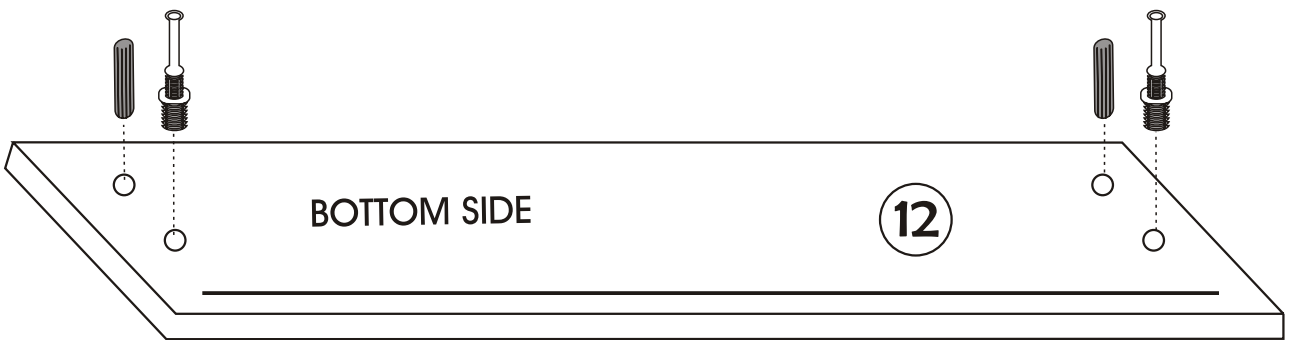
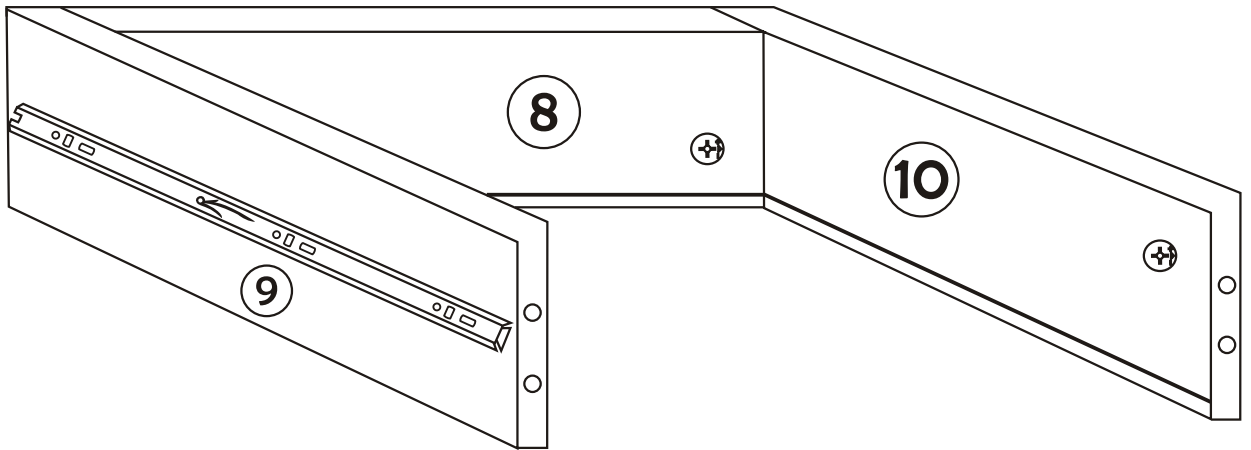
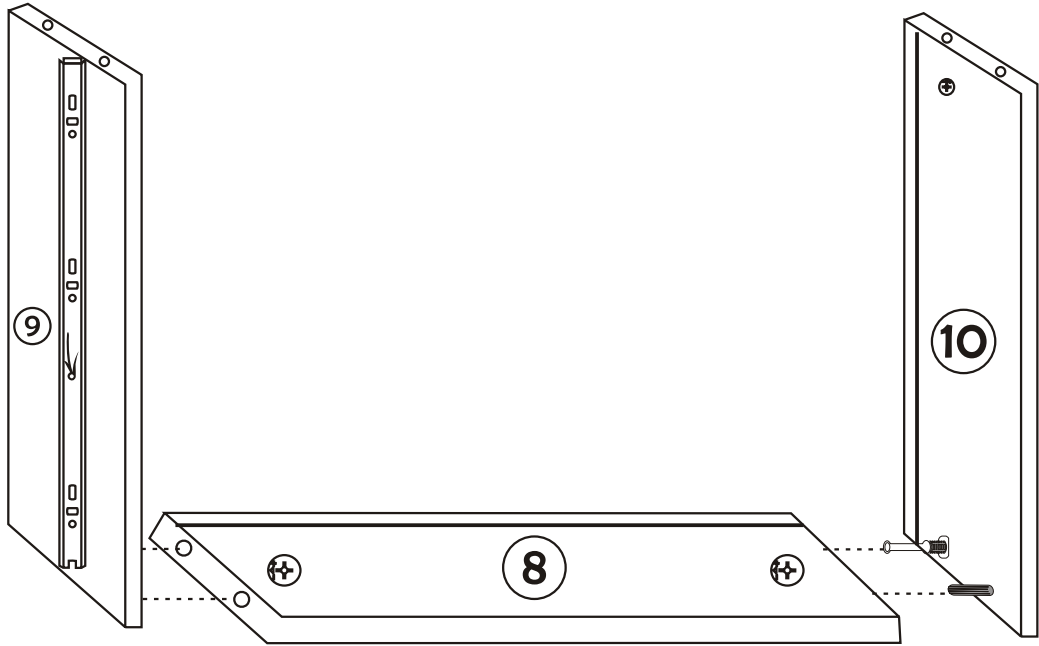


5





7



8

